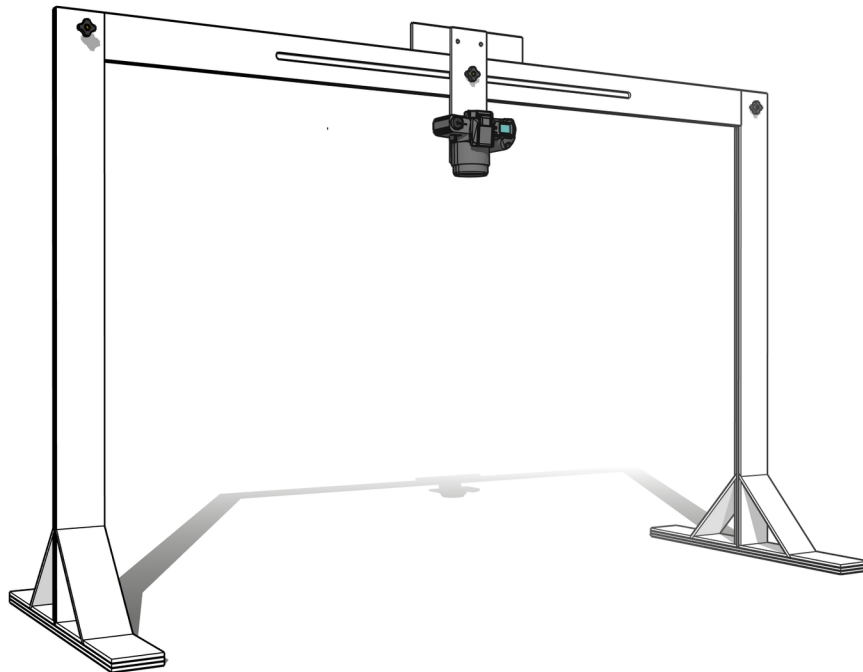




DIY OVERHEAD CAMERA RIG



www.modernbuilds.com/diy-overhead-camera-rig

BEFORE GETTING STARTED:

Remember, this overhead camera rig is built to suit my work table / needs and can be easily adjusted to suit your specific needs. I didn't get close to running through the full sheet of half inch plywood I used, so longer pieces can easily be afforded.

STUFF I USED:

1/2" Plywood

Super Glue Gel: <https://amzn.to/2VKxRPz>

Wood Glue: <https://amzn.to/2VLR1Vi>

1/4-20 Knobs (2"): <https://amzn.to/2FpvPie>

1/4-20 Knob (1.25"): <https://amzn.to/2M4MvwE>

Threaded Inserts: <https://amzn.to/2CfDqMV>

Hotshoe Mounts: <https://amzn.to/2SQfvuu>

Lights: <https://amzn.to/2CinUzV>

Microphone: <https://amzn.to/2RMAFfK>

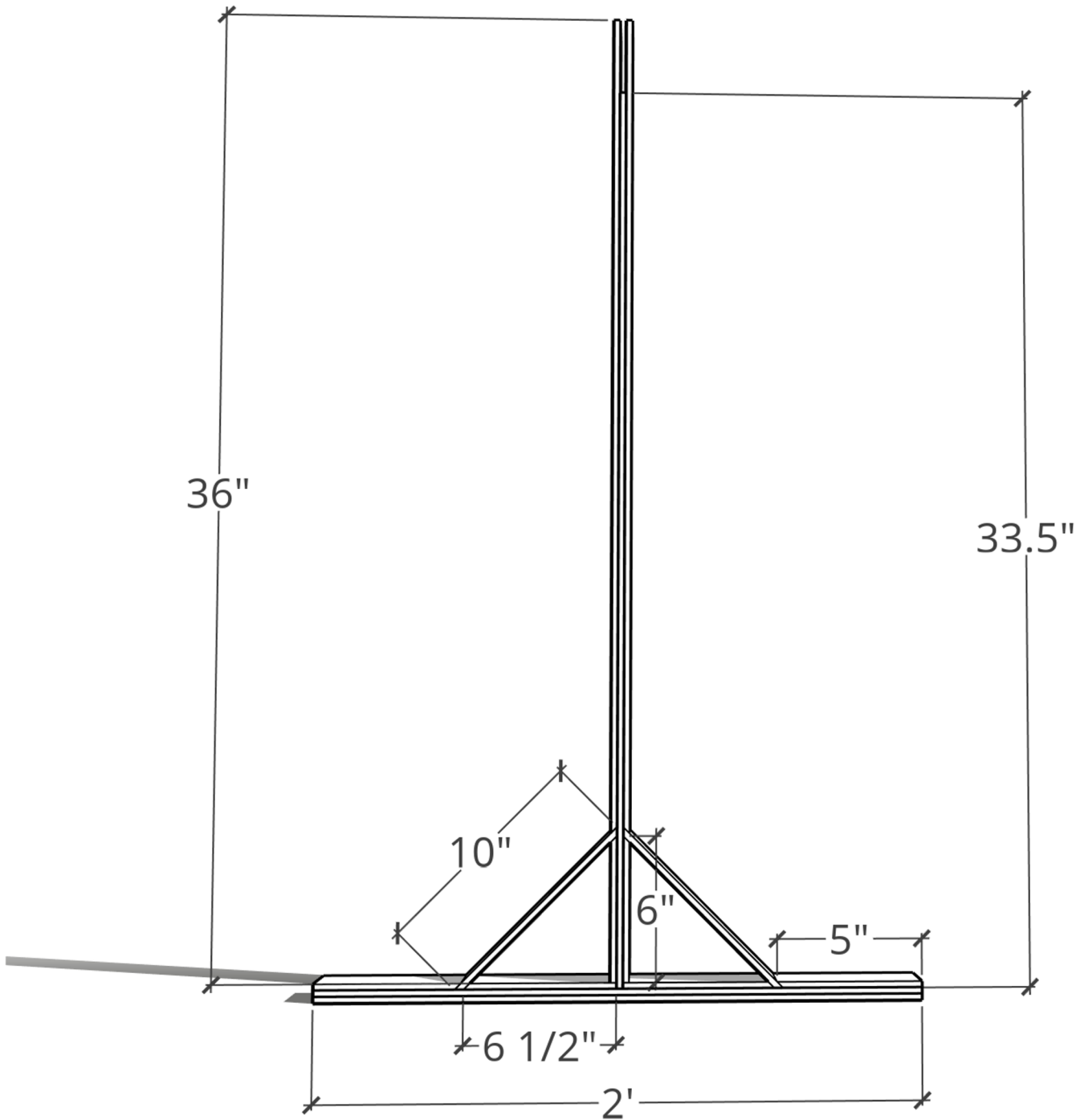
Camera: <https://amzn.to/2smsyIA>

Wide Angle Lens: <https://amzn.to/2SPZJzQ>



THE POST(S):

CUT LIST IS FOR INDIVIDUAL POST

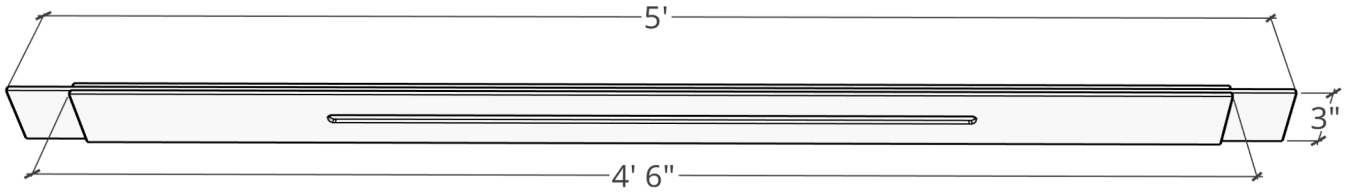


- 2 @ 36"
- 1 @ 33.5"
- 2 @ 24"
- 1 @ 10" (DOUBLE BEVEL)

- 1 @ 6.5" (SINGLE BEVEL)
- 1 @ 6" (SINGLE BEVEL)
- 2 @ 5" (SINGLE BEVEL)



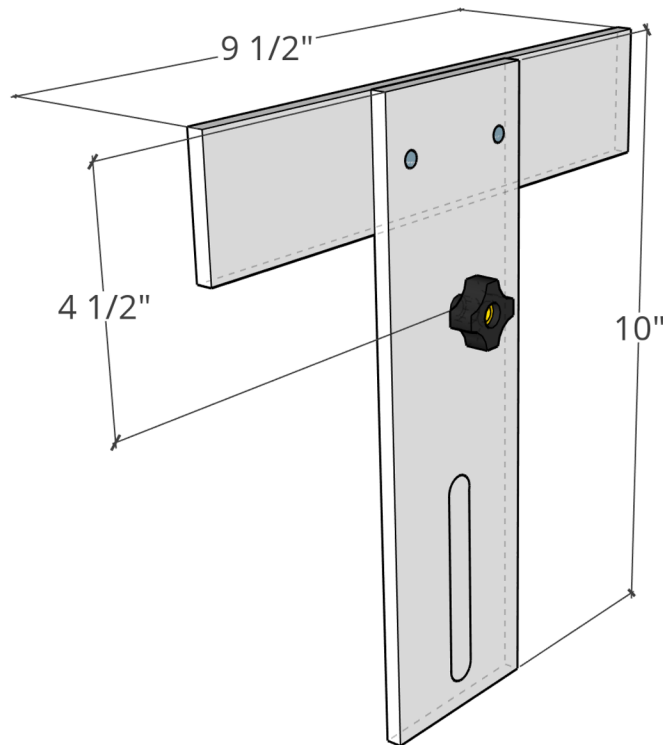
THE STRETCHER:



2 @ 52"

1 @ 60"

THE CAMERA MOUNT:



1 @ 9 1/2" (DOESN'T REALLY MATTER)

1 @ 10"

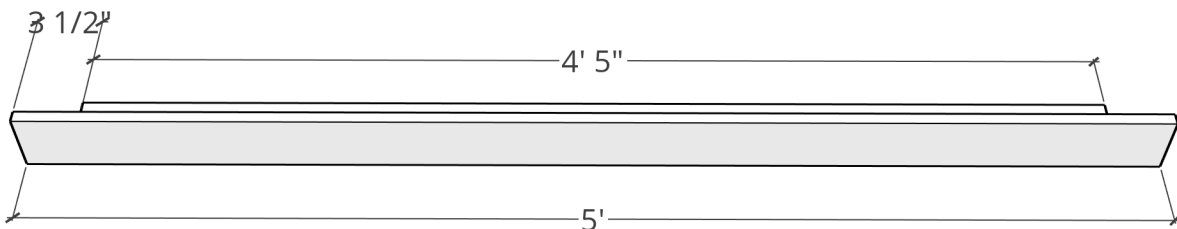
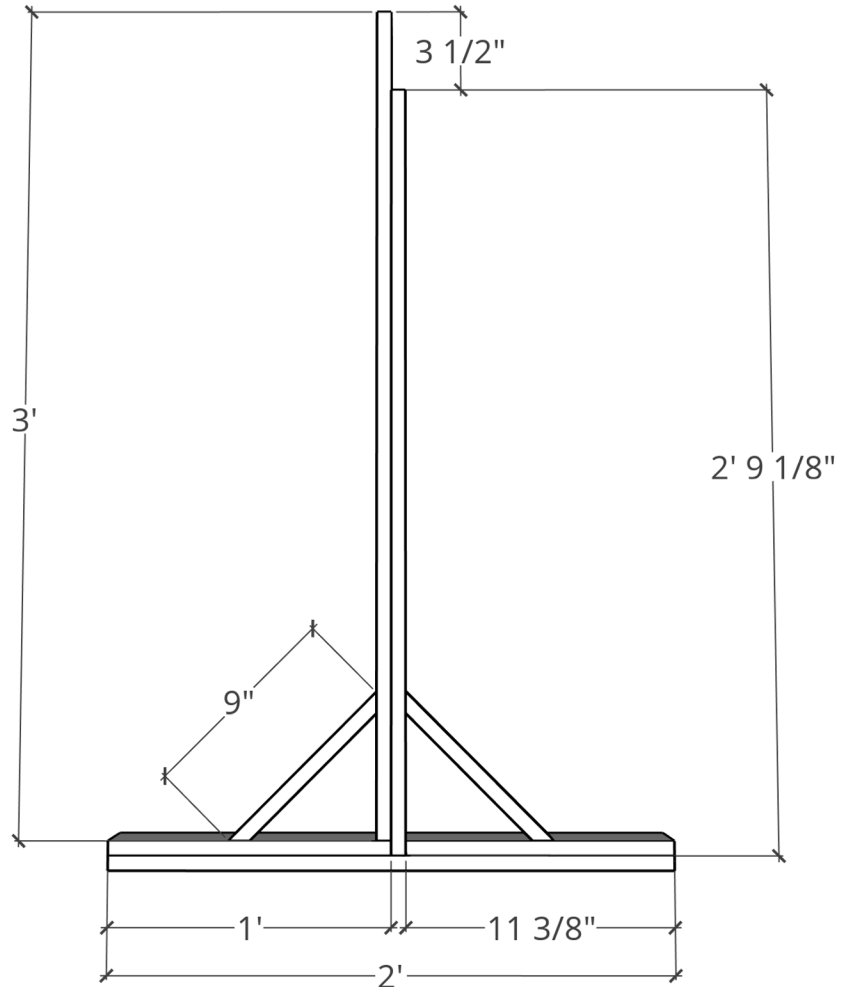


THE SIMPLE VERSION:

This version is made from 1/4's and could even incorporate 2x4's. We're still building up joints.. this time to make lap joints rather than grooves. This method is good if you don't have a table saw to rip plywood into 3" wide strips.

(assuming 1x4's are actually 5/8" x 3.5")

- 1 @ 36"
- 1 @ 33 1/8"
- 1 @ 24"
- 1 @ 12"
- 1 @ 11 3/8"
- 2 @ 9" (double bevel)



1 @ 60"

1 @ 53"



@modernbuilds

THAT'S IT!



If you build this project, I'd love to see it! Tag me or DM me on Instagram if you choose to share it. If you have any questions or notice any errors in the plan, I'm available @modernbuilds on Instagram.

