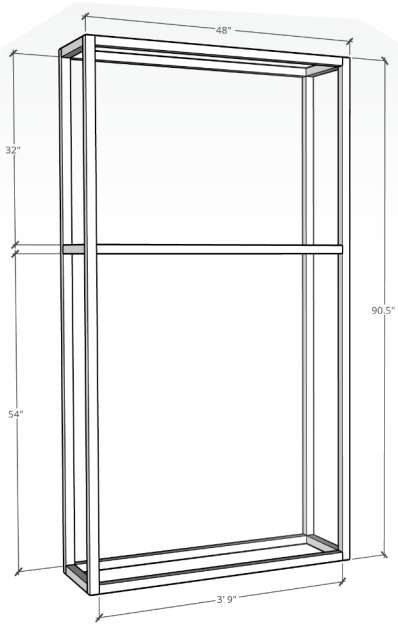


# CLOTHING RACKS / DISPLAYS



**CUT LIST:**  
 4 @ 90.5"  
 6 @ 45"  
 6 @ 13"  
 2X4: 1 @ 45"  
 PLY:  
 2 @ 48" x 16"

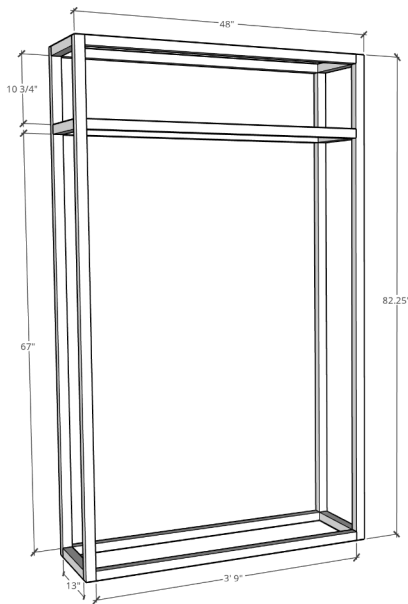
These shelves were designed to make to most of 8' material. Both of the large shelves are 48" wide and I used pocket holes to connect the frame pieces together. This allowed me to connect the 45" and 13" pieces on the same vertical plane.

I used 3/4" plywood as my shelves and cut 1.5" squares out of the corners to make room for the legs.

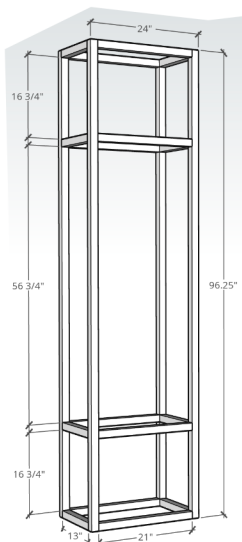
If you're displaying long items like dresses, etc... make sure to measure so that you have enough room (including the hangers you're going to use)

My shelves sit off the wall 1.5" to make room for electrical conduit in the space. If you want your shelves to sit directly on the wall, I would make them a little deeper. I would cut a bunch of 16" pieces instead of 13" pieces so that the shelves are 18-19" deep

I left the tops of the frame open, but if you have the ceiling height it would be a great opportunity to add a top shelf for extra display space. Also, I added a 45" 2x4 as a support spine to attach the closet rod on the first shelf on this plans list .



**CUT LIST:**  
 4 @ 82.25"  
 6 @ 45"  
 6 @ 13"  
 PLY:  
 2 @ 48" x 16"



**CUT LIST:**  
 4 @ 96.25"  
 6 @ 45"  
 6 @ 13"  
 PLY:  
 3 @ 24" x 16"